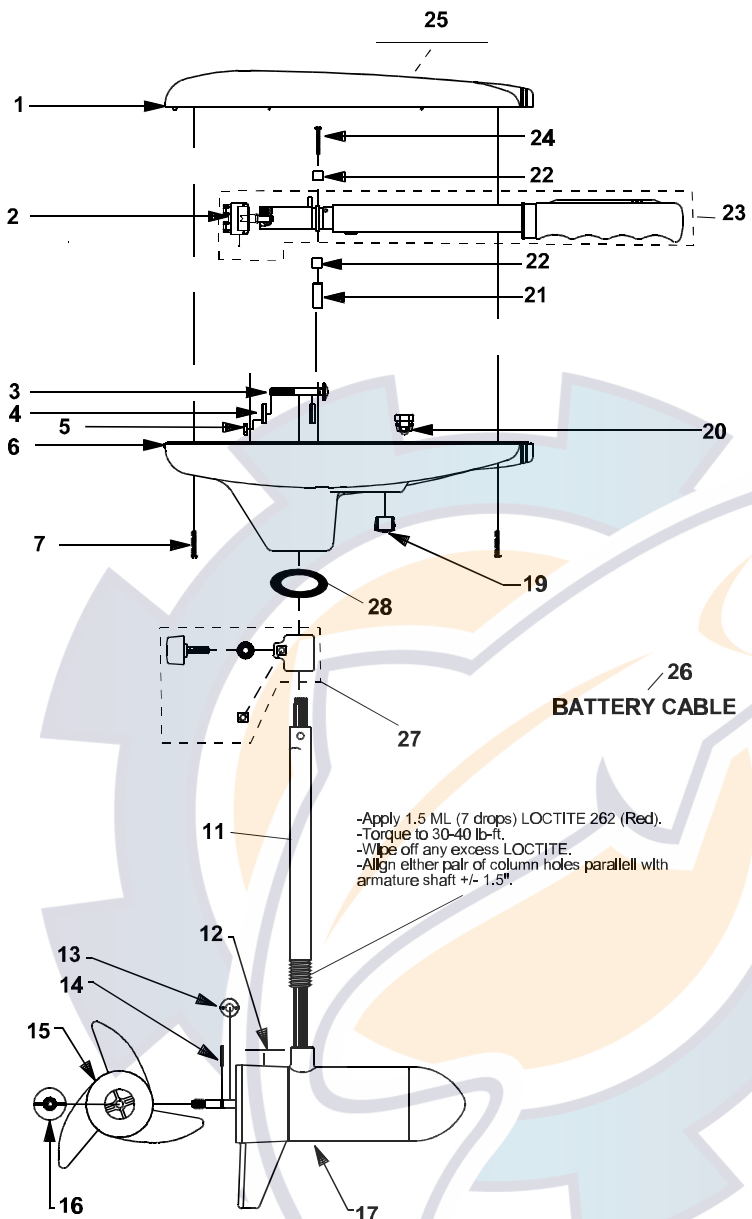


MotorGuide REPAIR PARTS

Model: **POWER plus**
T42



SPECIFICATIONS:

Year of Intro 1998
 Thrust 42LBS
 Volts 12VDC
 Amp Draw 0 to 48 amps
 Mount 03 Transom
 Speeds 5/2

QUICK REFERENCE PARTS GUIDE:

Handle Asy BT372-06
 Motor Seal Kit 6220
 Rotary Switch KT150-02

PARTS ORDERING & TECH ASSISTANCE

MotorGuide Consumer Relations
 Phone 918-831-6989
 Fax 800-982-8093

Send Returned Goods to:

MotorGuide
 605 Hwy 12 West
 Starkville, MS 39760

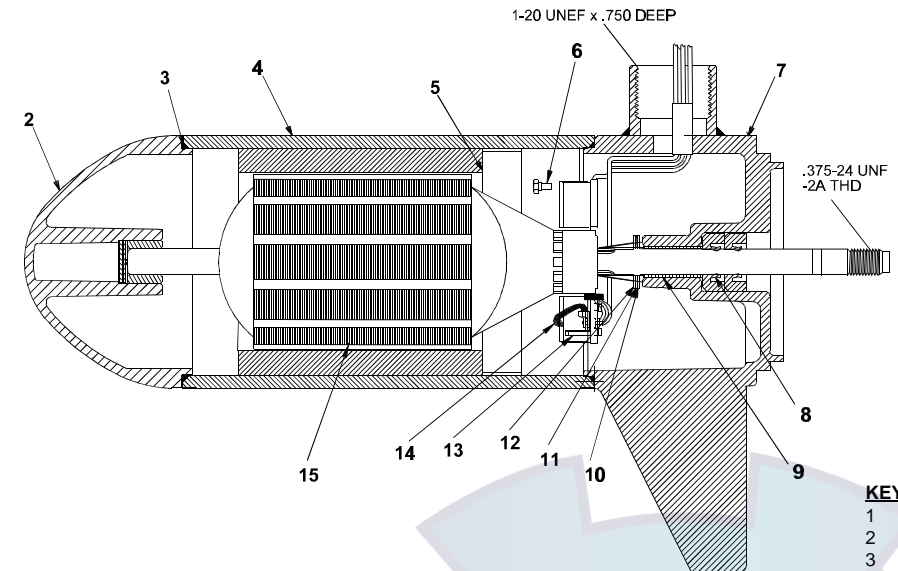
Returned Goods must be accompanied with a Returned Goods Authorization. Contact MotorGuide Consumer Relations to obtain RGA.

KEY	DESCRIPTION	PART #
1	COVER BLACK	AT053-10
2	ROTARY SWITCH	KT150-02
3	BOLT	TT134-01
4	CURVED WASHER	TT171-04
5	NYLON LOCK NUT	XT098-02
6	T/H BASE BLACK	AR004-14
7	SCREW #8 X 1"	LF141-04
8	BAR KNOB	AR082-02
9	CLAMP WASHER	AR171-01
10	SUPPORT NUT	FR098-01
11	42" .095 SS H/O COLUMN	FR049-15
12	MARINE LOWER UNIT DECAL	AF060-04
13	MONOFILAMENT WASHER	AR175-01
14	PROP DRIVE PIN	BR102-01
15	PROP/ 3 BLADE	AF124-10
16	PROP NUT	AR099-01
17	MOTOR	ET397-01
18	DEPTH ADJUSTMENT COLLAR	AR051-01
19	1/2" HOLE PLUG	FP021-03
20	GROMMET	GR019-03
21	WIRE BRACKET	AT155-04
22	RETAINER CLAMP	AR036-01
23	5 SPEED HANDLE ASY 96-97	BT372-06
24	8 X 1-3/8 SCREW	AR133-01
25	NOMENCLATURE	HT056-08
26	BATTERY CABLE	TT328-03
27	DEPTH COLLAR ASY	AR158-01

KEY	DESCRIPTION	PART #
28	COLUMN SEAL	AT079-01

LOWER UNIT BREAKDOWN

Model:
T42



NOTE: TORQUE THRU BOLTS TO 40 TO 50 INCH LBS.

KEY	QTY	DESCRIPTION	PART NO.
1	X	MOTOR	ET397-01
2	1	NOSE CAP	JF3212-01
3	2	O RING SEAL	MR217-01
4	1	HOUSING ASY	ET3210-01
5	1	RETAINER	JF233-01
6	2	BRUSH CARD SCREW	MR228-01
7	1	COMM CAP	ET3205-01
8	2	SHAFT SEAL	MR223-01
9	1	BEARING	MR206-01
10	1	NYLATRON WASHER	MR226-01
11	1	WASHER	MR227-01
12	1	E RING	MR219-01
13	2	BRUSH SPRINGS	MR214-02
14	1	BRUSH ASY LESS SPRING	DF3201-01
15	1	ARMATURE 3.5"	KF3207-01
16	4	STATIC SEAL	MR222-01
17	4	THRU BOLT WASHER	MR216-01
18	2	THRU BOLT	MR218-01

WIRING

